



Analogik

ELECTRONICS CORPORATION

TEMPERATURE SCANNER - SERIES - TS - 800



- Three wire lead resistance compensation.
- Built-in cold junction compensation.
- Individual relay output.
- Hi, Lo or VHi configuration possible.

GENERAL DESCRIPTION

Analogik - TS - 800 temperature scanner incorporates analog & digital circuitry with the Auto / Manual selection & Ch. advance switch. Selection of any particular channel is possible. The TS - 800 accepts 3 wire Pt - 100 or T/C input & for each channel relay output is available.

The scanning time is variable & individual setting can be done by pressing SET switch. The relay status is indicated by 5mm round LED.

FEATURES

- ◆ Individual alarm setting with individual relay output up to 8 channel.
- ◆ 0.25% of F. S. accuracy.
- ◆ Linearisation of T/C optional.
- ◆ Alarm setting and relay output can be configure as per channel requirement.
- ◆ Scanning time variable.
- ◆ Built-in cold junction compensation.
- ◆ Hi, Lo, V Hi configuration possible.
- ◆ 8, 16, 32 channels scanner available.

CONSTRUCTION & OPERATION

The glass epoxy, green mask, PCB with high quality components soldered employees the state - of - the - art technology.

The modular design with the extension board for input connection are provided. All the PCBs are given mechanical support.

The multiplexers are used to select the input and the design feature is such that, the ON resistance of multiplexer is inactive. The alarm setting for each channel is user accessible & the relay output (alarm o/p) has been given for each channel.

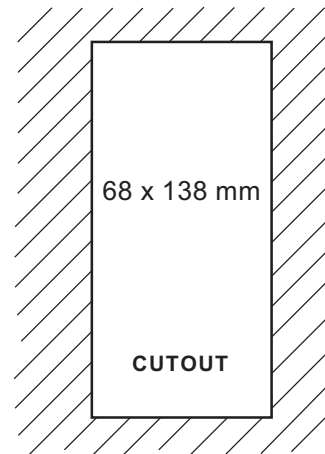
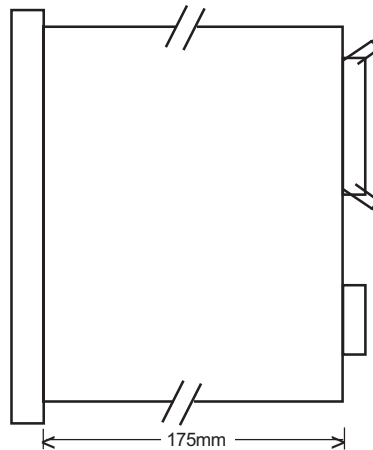
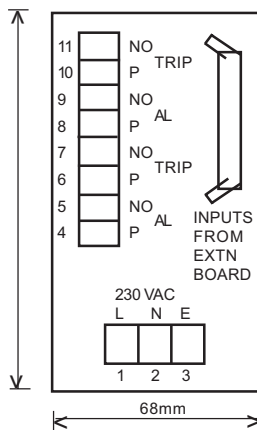
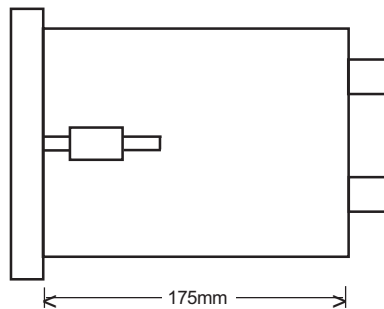
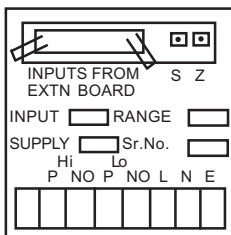
APPLICATIONS

- ◆ To monitor the temperatures of different locations as well to monitor the winding and bearing temperatures of HT motors. Visual annunciation & relay outputs can be used for alarm & trip purpose. The scanners are used in any plant like cement, power, food, fertilisers etc.

TECHNICAL SPECIFICATIONS

INPUT RANGE	Pt-100, T/C (J,K,R,S) mA, mV -200 to +600 °C - Pt - 100 0 to 1200 °C - K type T/C 0 to 750 °C - J type T/C 0 to 1600 °C - R & S type T/C	OPERATING HUMIDITY	90 % RH N. C. at 50 °C
INDICATION	As per requirement for mA, V. 230 V AC, 50 Hz. 110 V AC, 50 Hz.	COLD JUNCTION COMPENSATION	BUILT - IN
SUPPLY	3 1/2 Digit, 0.5" 7 Segment display - for process value. 7 Segment display- for channel Indication 5 mm round red LED - for alarm & trip.	THREE WIRE LEAD RESISTANCE COMPENSATION	BUILT - IN
ACCURACY	±0.25% of F. S.	ALARMS	Relay output - 5 Amp. rated. 8 relay output for individual channel. 4 relay output Hi & Low for two groups. 2 relay as common Hi & Low
NO. OF CHANNELS	8, 16, 32	SCANNING TIME	2 to 60 seconds.
OPERATING TEMP.	10 °C to 50 °C.	AUTO MANUAL SELECTION	By front switch.
		CHANNEL SELECTION	by front push button in manual mode.
		DIMENSIONS	96 X 96 X 175mm 72 X 144 X 300mm

DIMENSIONAL & ELECTRICAL SPECIFICATIONS



ANALOGIK ELECTRONICS CORPORATION

REGD. OFFICE :

S. NO. 250/1, D. P. ROAD, Sharda Park,
BANER, PUNE - 411 007, INDIA

TEL. - (020) 25888688 TELEFAX - (020) 25888688

E-mail - analogik@vsnl.com

AREA REPRESENTATIVE